

# LED Integrated Anti Corrosive Batten



## Features

- Super slim construction and superior capacity
- Aluminum profile body for good thermal dissipate
- Easy installation provided with surface mounted and suspended way
- Flicker free driver, UGR19

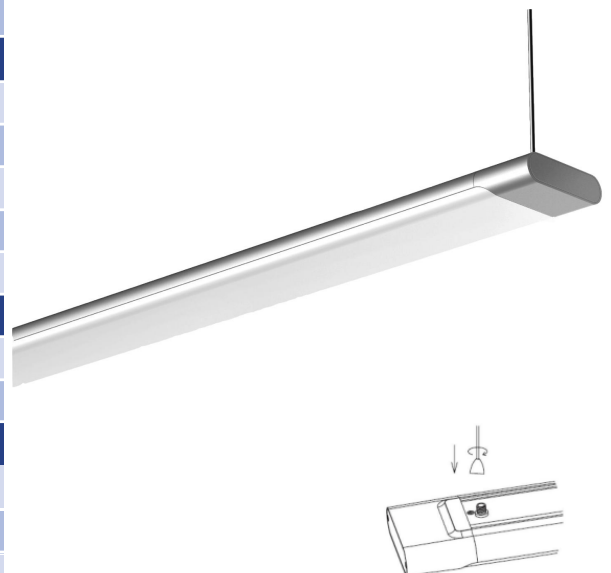


Surface mounting

## Specification

Model	DH-TL01-A	DH-TL01-B
<b>Optical</b>		
Lumen Output	2000lm	4000lm
Colour Temperature	3000K/4000K/6000K	
Colour Rend. Index	80	
Beam Angle	90°	
<b>Electrical</b>		
Supply Voltage	220-240V, 50-60Hz	
Input Power	20W	40W
Power Factor	0.9	
Dimming	Optional	
IP Rating	IP65	
<b>Physical</b>		
Size	600×90×28mm	1200×90×28mm
Construction	Steel, Aluminium, PC	
<b>Operational</b>		
Operating Temp	-30° to +50°	
Lifespan	50,000hrs	
Certification	CE, RoHS	

Suspension mounting



## About us

DanHui Lighting Co., Ltd is specialized in designing and manufacturing the LED Lights. DanHui LED Lighting products include: LED Bulb lights, LED Panel lights, LED Down lights, LED Linear lights etc. Our LED lighting products have been successfully exported to more than 10 countries.

## Contact us

- ✉ info@danhuiled.com
- ☎ +86-571-89350096
- 💻 www.danhuilux.com